



HUBER+SUHNER® PLANAR ANTENNA FOR WIRELESS COMMUNICATION

SPA 5600/60/10/0/DS

Technical Data

Electrical Properties

Frequency range	5150 - 5875 MHz
Impedance	50 Ω
VSWR	1.7
Polarization	dual linear, ± 45° slant
Gain	10 dBi
3 dB beamwidth horizontal	60°
3 dB beamwidth vertical	60°
Downtilt	0°
Isolation between ports	23dB
Front to back ratio	22 dB
Max. power	75 W (CW) at 25°C

Mechanical & Environmental Properties

Dimensions	101 x 95 x 32 mm (3.98" x 3.74" x 1.26")
Weight	0.11 kg (0.24 lbs.)
Radome material	ASA
Radome colour	RAL 7035 (light grey)
Mounting socket material	ASA
Mounting socket colour	RAL 7042 (dark grey)
Back/base plane material	aluminium
2002/95/EC (RoHS)	compliant
Operating temperature range	- 40°C to + 80°C
Storage temperature range	- 40°C to + 80°C
Windload	15 N at 160km/h (100mph)

Available Types

Available Types	Article no.	
1356.19.0009	84003542	SMA female
1356.26.0009	84003545	TNC female

Wall mounting material included.

Mounting Hardware

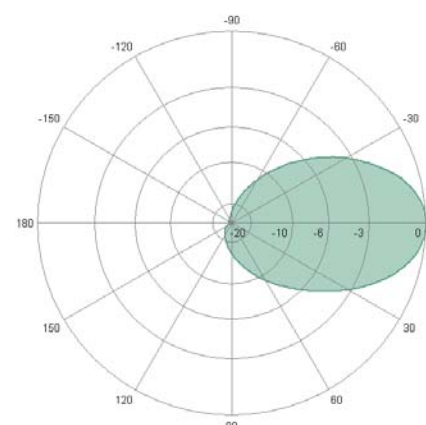
Mounting Hardware	Article no.	
9091.99.0029	22649576	mast mounting accessory
9091.99.0080	22652651	mast mounting and sidetilt accessory

Documents

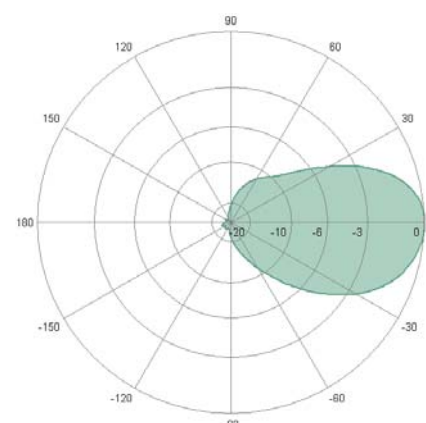
01.02.0777	security instruction
01.02.1509	mounting instruction



Radiation Pattern



horizontal



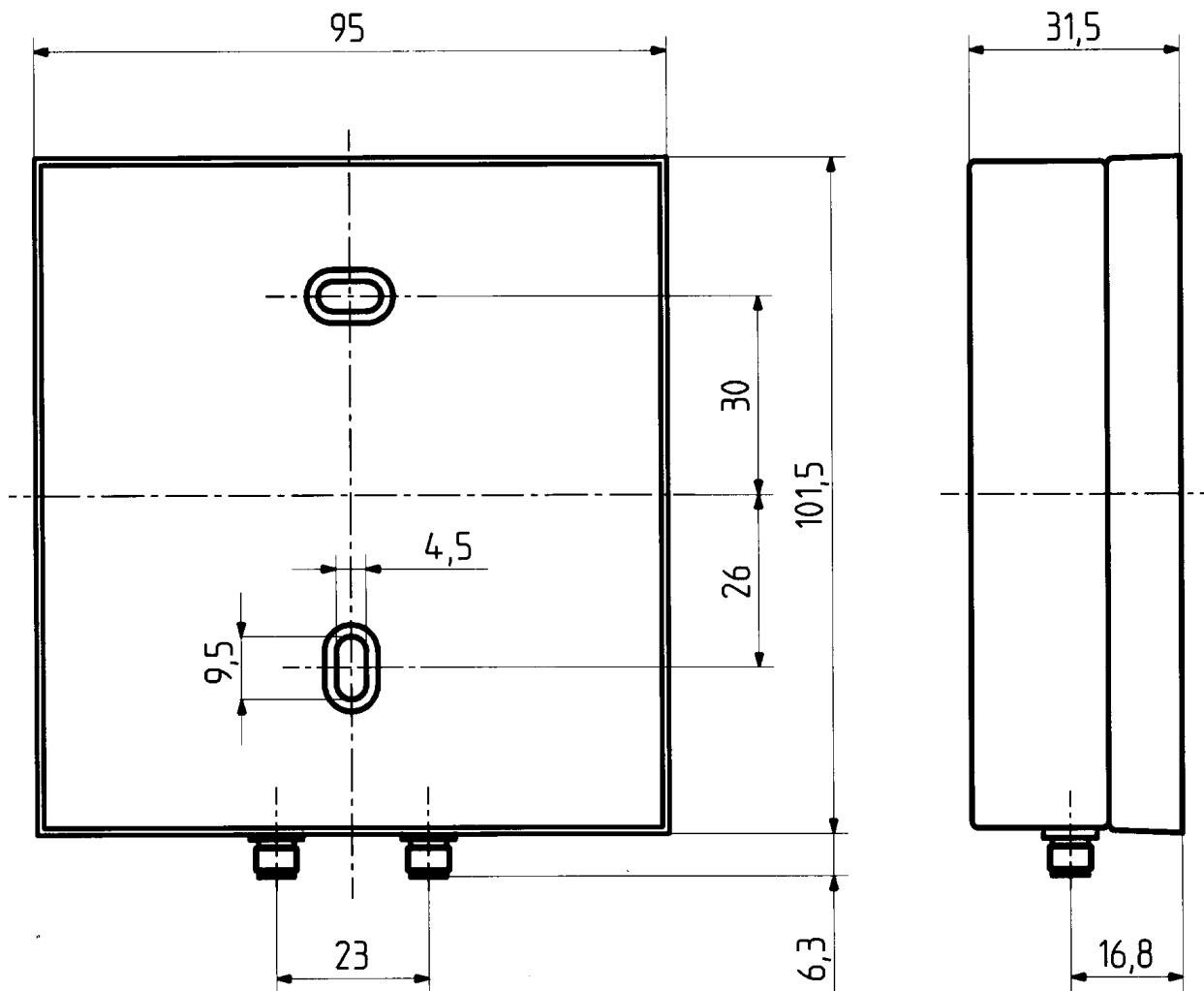
vertical



HUBER+SUHNER® PLANAR ANTENNA FOR WIRELESS COMMUNICATION

SPA 5600/60/10/0/DS

Dimensions (mm)



HUBER+SUHNER is certified according to ISO 9001 and ISO 14001

WAIVER!

It is exclusively in written agreements that we provide our customers with warrants and representations as to the technical contained specifications and/or the fitness for any particular purpose. The facts and figures herein are carefully compiled to the best of our knowledge, but they are intended for general informational purposes only.

HUBER+SUHNER – Excellence in Connectivity Solutions

Document no.: 01.02.0988
Issue no.: 7
Supersedes: 08.2006

Uncontrolled Copy

Issued/Checked/Released: 4159/4417/11.2003
Last amended: 4417/09d.2006



HUBER+SUHNER AG

RF Technology

9100 Herisau, Switzerland

Phone +41 (0)71 353 41 11

Fax +41 (0)71 353 47 51

www.hubersuhner.com