

HUBER+SUHNER® OMNI ANTENNA FOR WIRELESS COMMUNICATION

SWA 2459/360/4/45/V

Technical Data

Electrical Properties

Frequency range	2400 - 5900 MHz
Impedance	50 Ω
VSWR	1.7
Polarization	linear, vertical
Gain	> 4.0 dBi
3 dB beamwidth horizontal	360°
Max. power	10 W (CW) at 25°C

Mechanical Properties

Dimensions	Ø 86 x 43 mm (Ø 3.39" x 1.69")
Weight	0.3 kg (0.66 lbs.)
Housing material	Aluminium
Radome material	ASA
Radome color	RAL 7035 (light-grey)
Operating temperature range	- 40°C to + 80°C
Storage temperature range	- 40°C to + 80°C
Windload	10 N at 160km/h (100mph)

Available Types

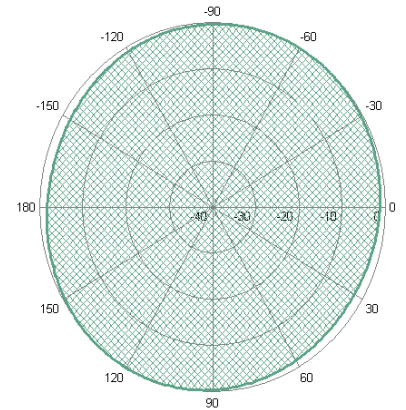
Article no.	
1399.17.0040	84000442 N female
1399.19.0024	84000441 SMA female

Mounting Hardware

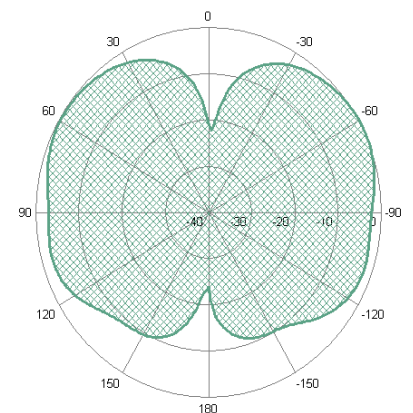
Ceiling mounting material included.



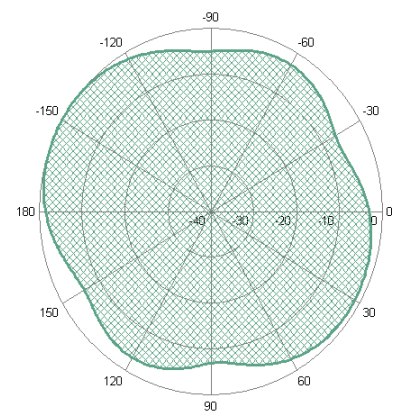
Radiation Pattern



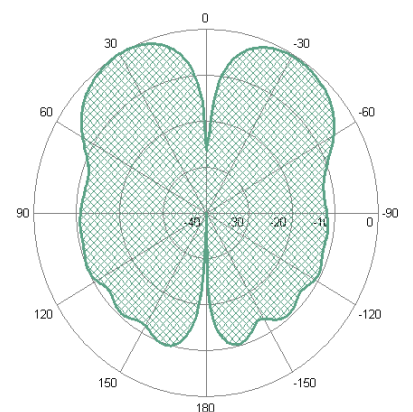
horizontal 2400 MHz



vertical 2400 MHz



horizontal 5600 MHz

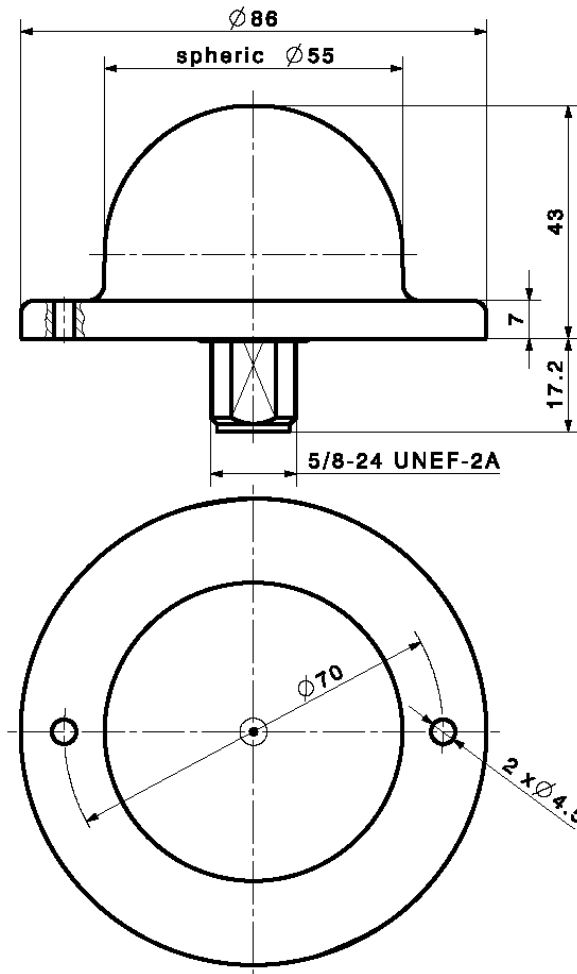


vertical 5600 MHz

HUBER+SUHNER® OMNI ANTENNA FOR WIRELESS COMMUNICATION

SWA 2459/360/4/45/V

Dimensions (mm)



Mounting and security instructions see HUBER+SUHNER document number 01.02.0777.
The document can be ordered at HUBER+SUHNER AG, Switzerland.

HUBER+SUHNER group is certified according to ISO 9001 and ISO 14001.

WAIVER!

While the information contained has been carefully compiled to the best of our present knowledge, it is not intended as representation or warranty of any kind on our part regarding the fitness of the products concerned for any particular use or purpose and neither shall any statement contained herein be construed as a recommendation to infringe any industrial property rights or as a license to use any such rights. The fitness of each product for any particular purpose must be checked beforehand with our specialists.



HUBER+SUHNER AG
Wired Solutions + Networks
Communication + Power Networks
CH-9100 Herisau, Switzerland
Tel.: +41 (0)71 353 41 11
Fax: +41 (0)71 353 47 51
www.hubersuhner.com

Document no.: 01.02.0964
Issue no.: 3
Supersedes: 03.2004

Uncontrolled Copy
Issued/Checked/Released: 4159/4656/03.2004
Last amended: 4159

